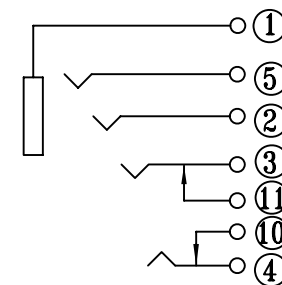
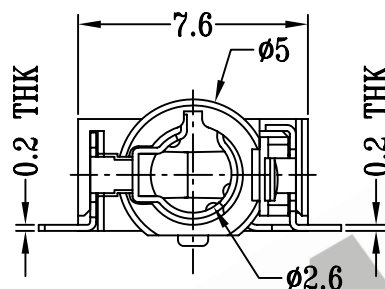
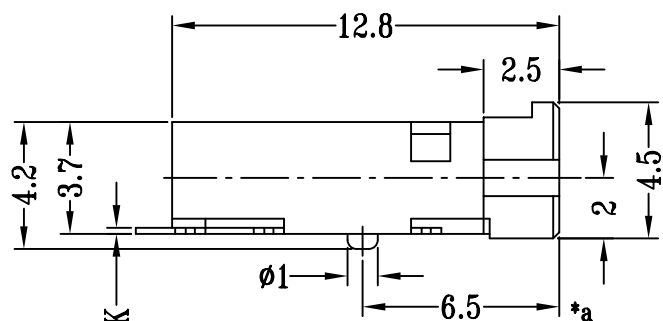
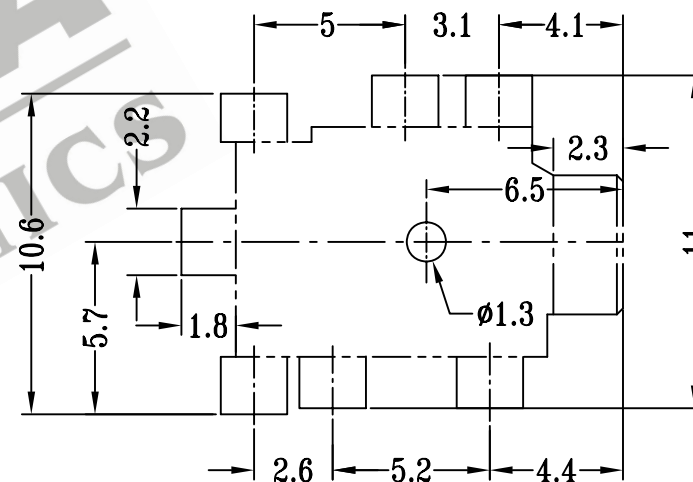
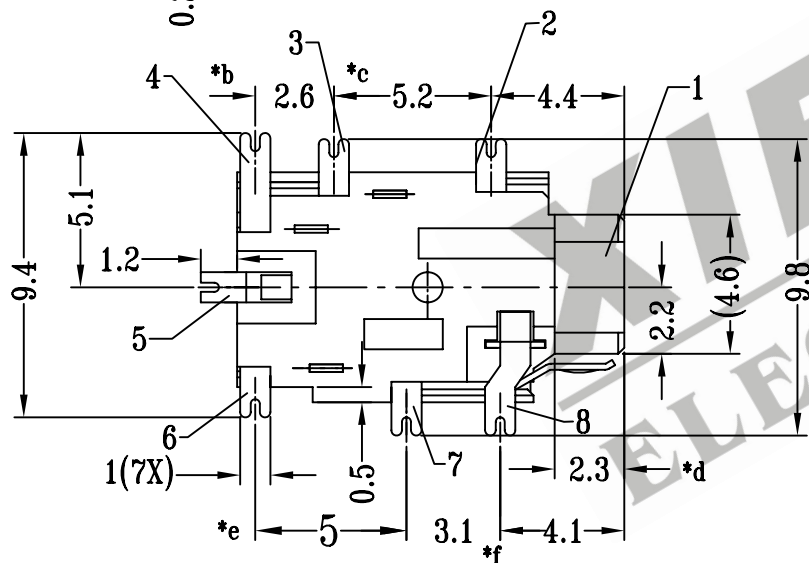


CAD FILE:



SCHEMATIC



P.C.B LAYOUT

注:带"*"表示关键尺寸(11个)

8	SPRING TERMINAL G	PBS STRIP	1	Au PLATED OVER Ni PLATED	TOLERANCE UNLESS SPECIFIED	SHENZHEN XIEJIA ELECTRONICS CO.,LTD.				
7	SPRING TERMINAL F	PBS STRIP	1	Au PLATED OVER Ni PLATED						
6	SPRING TERMINAL E	PBS STRIP	1	Au PLATED OVER Ni PLATED	WITHIN: 1.5±0.1mm	ISSUE	DATE	DESCRIPTIONS OF REVISION	APPD.	
5	TERMINAL D	BRASS STRIP	1	Au PLATED OVER Ni PLATED	OVER: 1.5±0.2mm					
4	TERMINAL C	BRASS STRIP	1	Au PLATED OVER Ni PLATED	TITLE : PHONE JACK		UNIT : mm	DRWG NO.: XJ-DR-ST303-00		
3	SPRING TERMINAL B	PBS STRIP	1	Au PLATED OVER Ni PLATED	MODEL: ST-303		SCALE: 4:1	DWN.	ZHOUYU	2003-6-10
2	SPRING TERMINAL A	PBS STRIP	1	Au PLATED OVER Ni PLATED	ALL MATERIALS MUST BE COMPLIANT TO ROHS			CHK'D	FANGYING	2003-6-10
1	CASE	NYLON46	1	BLACK				APPD.	KANGXINAN	2003-6-10
NO.	PARTS	MATERIALS	Q'TY	FINISH						